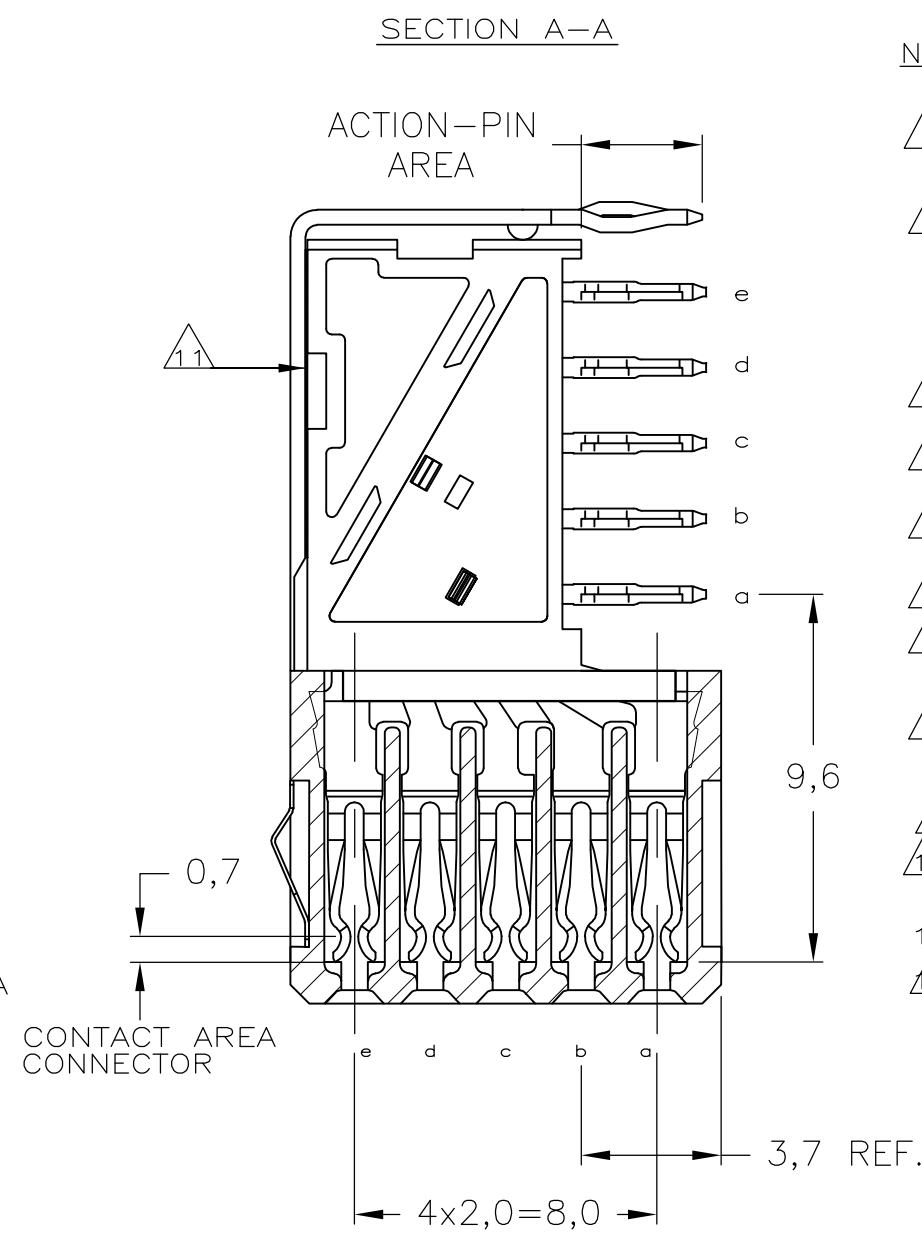
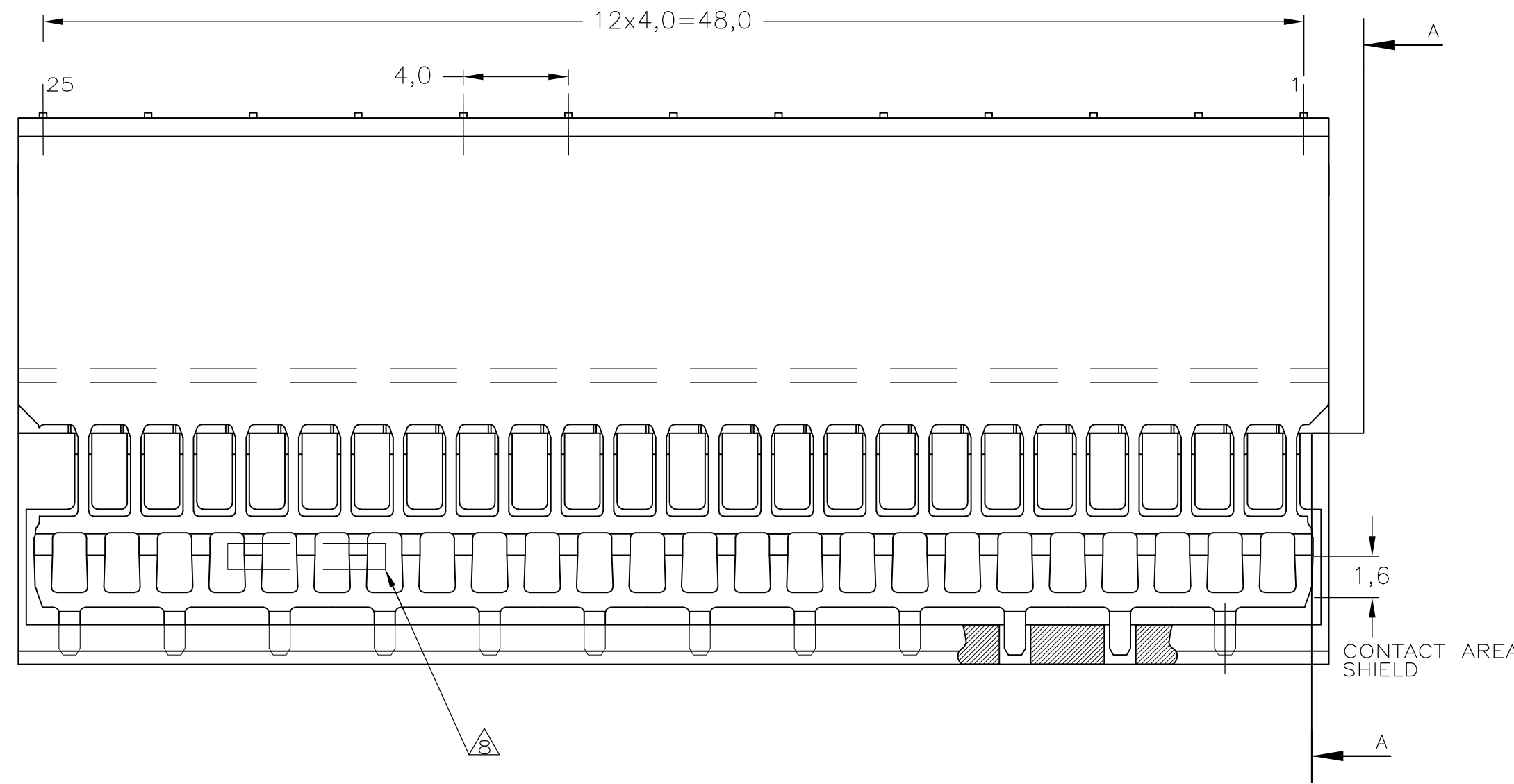
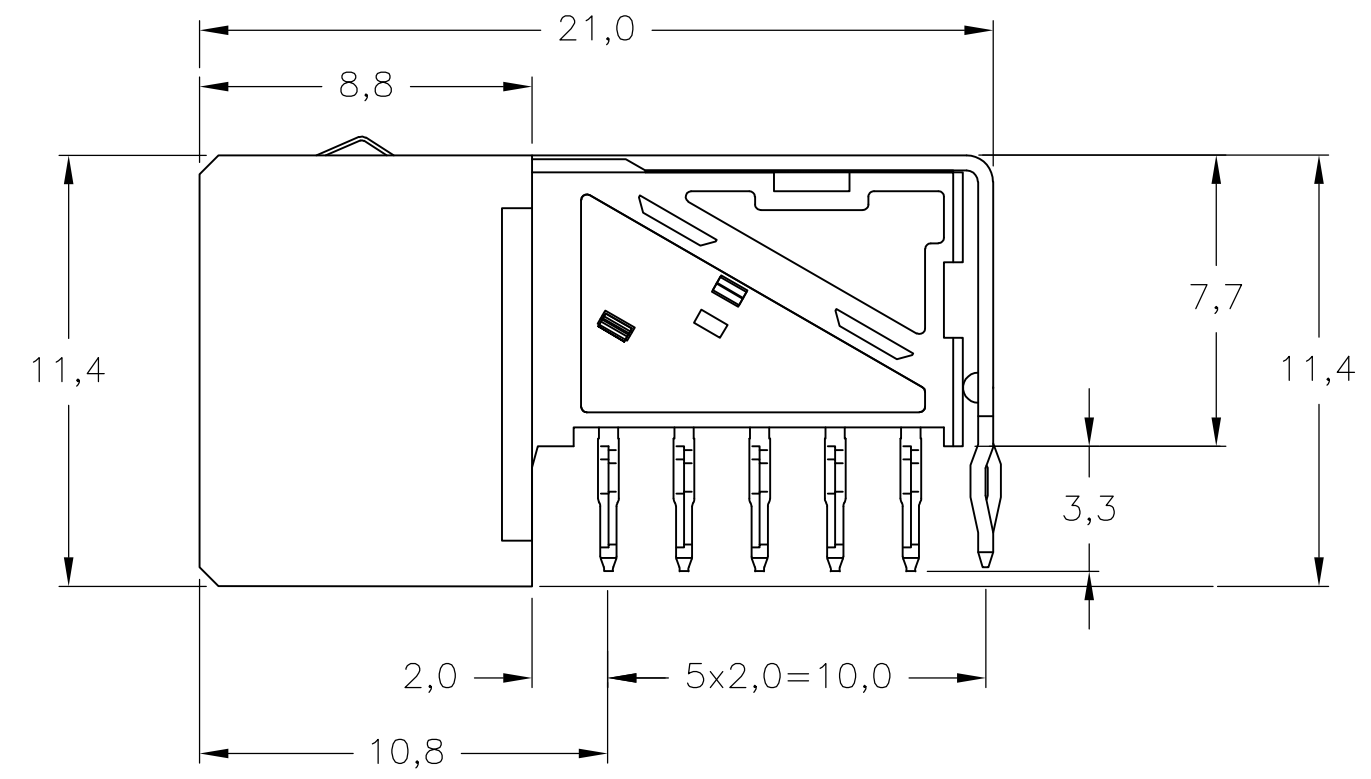
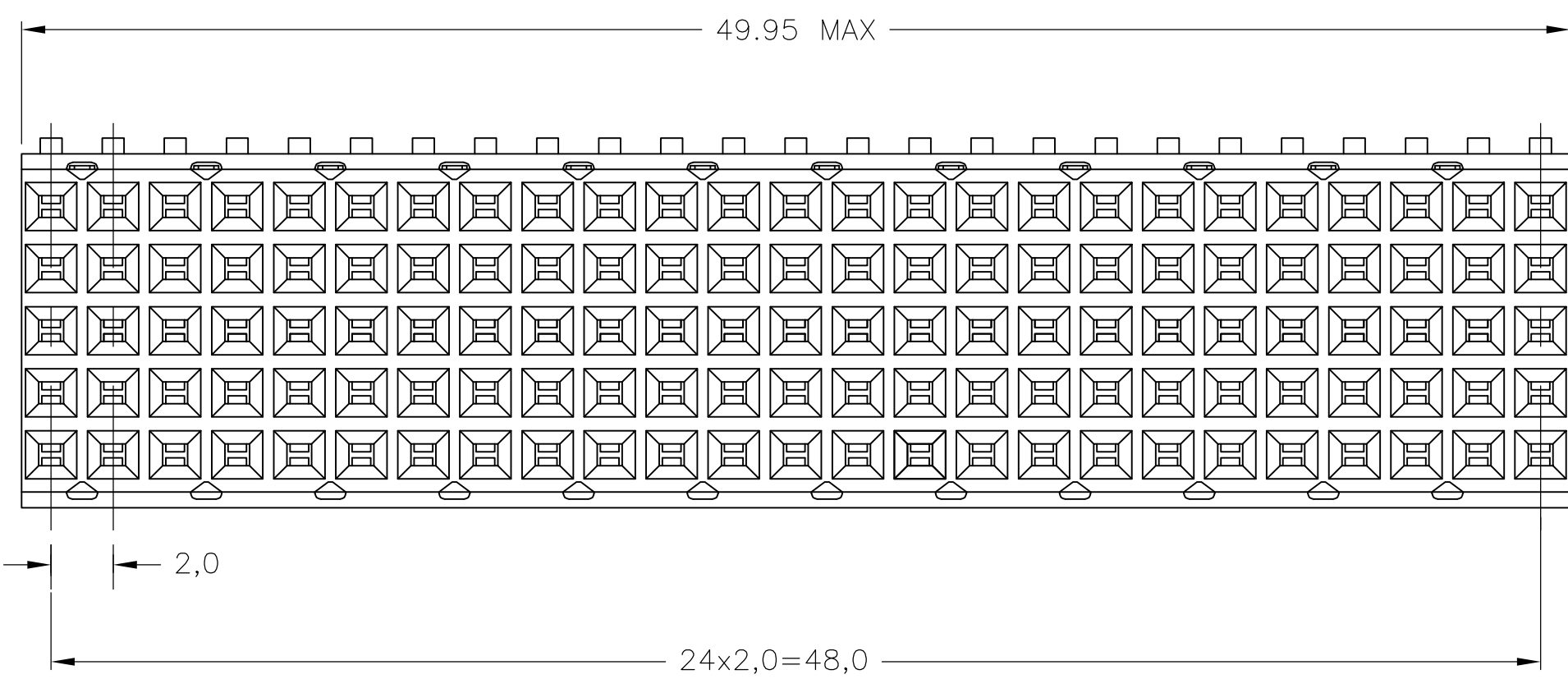


THIS DRAWING IS UNPUBLISHED. RELEASED FOR PUBLICATION
 © COPYRIGHT - By - ALL RIGHTS RESERVED.

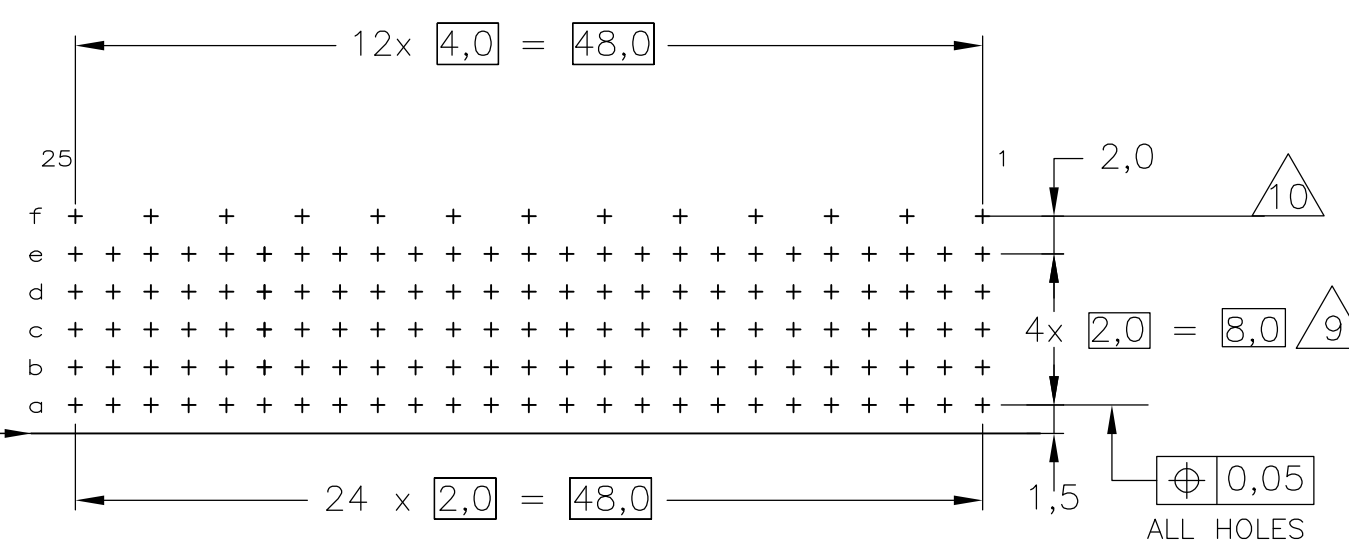
LOC		DIST		REVISIONS			
P	LTR	DESCRIPTION	DATE	DWN	APVD		
F		REVISED PER ECO-13-014710	08NOV2013	SY	FY		



- NOTES:
- 1 MATERIAL CONTACTS; PHOSPHORBRONZE
MATERIAL HOUSING; GLASSFILLED POLYESTER (GRAY)
 - 2 GENERAL PLATING SPECIFICATION: UNDERPLATING (ENTIRE CONTACT): 1,27µm NICKEL MIN. AND ACTION PIN: 0,5µm TIN MIN. FOR PLATING OF MATING SURFACES SEE APPLICABLE SPECIFICATION REFERENCE FOR EACH DASH NUMBER.
 - 3 CONFORMS TO ALL TESTING ACCORDING IEC 61076-4-101 PERFORMANCE LEVEL 2.
 - 4 CONFORMS TO ALL TESTING ACCORDING IEC 61076-4-101 PERFORMANCE LEVEL 1.
 - 5 CONNECTOR TESTED AND QUALIFIED AGAINST TELCORDIA GR-1217-CORE QUALITY LEVEL III, CENTRAL OFFICE APPLICATIONS.
 - 6 CONNECTOR LUBRICATED WITH TELCORDIA APPROVED LUBRICANT.
 - 8 ASSEMBLY PRINTED WITH P/N AND DATECODE THE MARKING CAN APPEAR ON THE FRONT SIDE OR BACK SIDE.
 - 9 HOLE PATTERN FOR FEMALE CONNECTOR TYPE B
125 PLATED-THROUGH HOLES AT 2x2mm SQUARE GRID
 - 10 ROW "f" 13 PLATED THROUGH HOLES FOR UPERSHIELD
 - 11 SHIELD MOUNTED ON CONNECTOR WITH DOUBLE SIDED ADHESIVE TAPE OR ADHESIVE
 - 12 BASIC P.N. LOWERSHIELD: 5338110
 - 13 0.76µm MIN GOLD PLATING AT MATING SURFACE.



COMPONENT SIDE AS SHOWN
 RECOMMENDED PCB-HOLE LAY-OUT
 SCALE 2,5:1



P.C.B. HOLE DIM. ACTION PIN
 FOR DETAILS SEE
 APPLICATION SPECIFICATION

EDGE OF P.C.BOARD

THIS DRAWING IS A CONTROLLED DOCUMENT.		DWN	17AUG2004	K.N.KIRAN	
DIMENSIONS: mm		CHK	24SEP2004	B.MOOIJ	
TOLERANCES UNLESS OTHERWISE SPECIFIED:		APVD	24SEP2004	B.MOOIJ	
0 PLG ± 1 PLG ± 2 PLG ± ±0.2 3 PLG ± 4 PLG ± ANGLES ± FINISH		PRODUCT SPEC	108-19082		
MATERIAL		APPLICATION SPEC	114-19029		
		WEIGHT	-		
		CUSTOMER DRAWING			
		NAME	TE Connectivity		
		Z-PACK 2mm HM TYPE B - 25 COLUMNS PRE-SHIELDED RECEPTACLE			
SIZE	CAGE CODE	DRAWING NO	RESTRICTED TO		
A2	00779	C=5352069	-		
SCALE 5:1		SHEET 1 of 1	REV F		

FINISH	MATERIAL	PARTNUMBER
△△△△	△	3-5352069-0
△△△△	△	5352069-9
△△△△	△	5352069-4
△△△△	△	5352069-1

5352069